

SPECIFICATIONS

FREQUENCY BAND Rx: 3.625 - 4.200 GHz
Tx: 5.850 - 6.425 GHz

INSERTION LOSS Rx: 0.25 dB MAX
Tx: 0.25 dB MAX

VSWR Rx: 1.30:1 MAX
Tx: 1.30:1 MAX

ISOLATION Tx/Rx: 85 dB MIN
Rx/Tx: 75 dB MIN
Tx/Tx: 35 dB MIN
Rx/Rx: 35 dB MIN

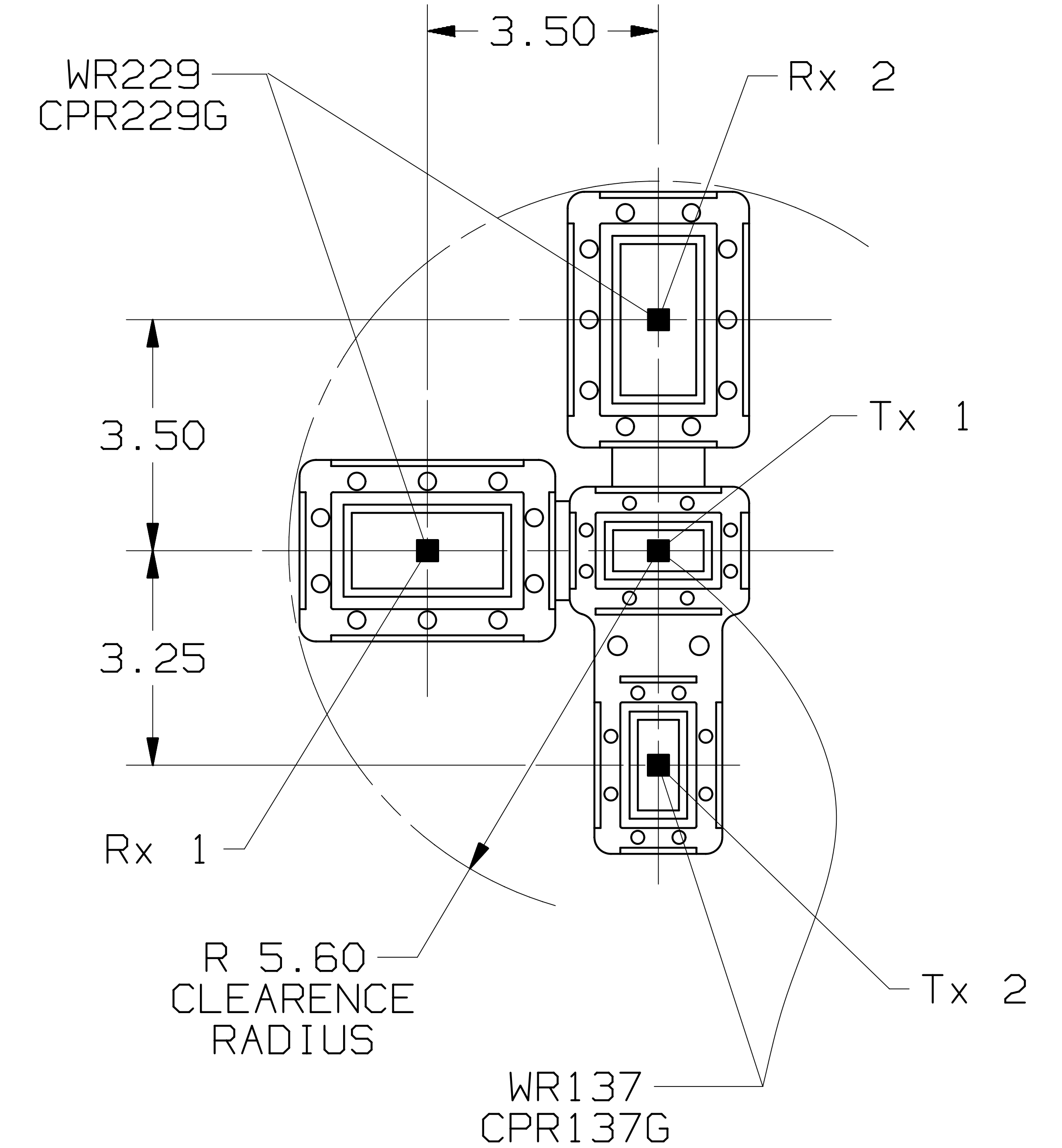
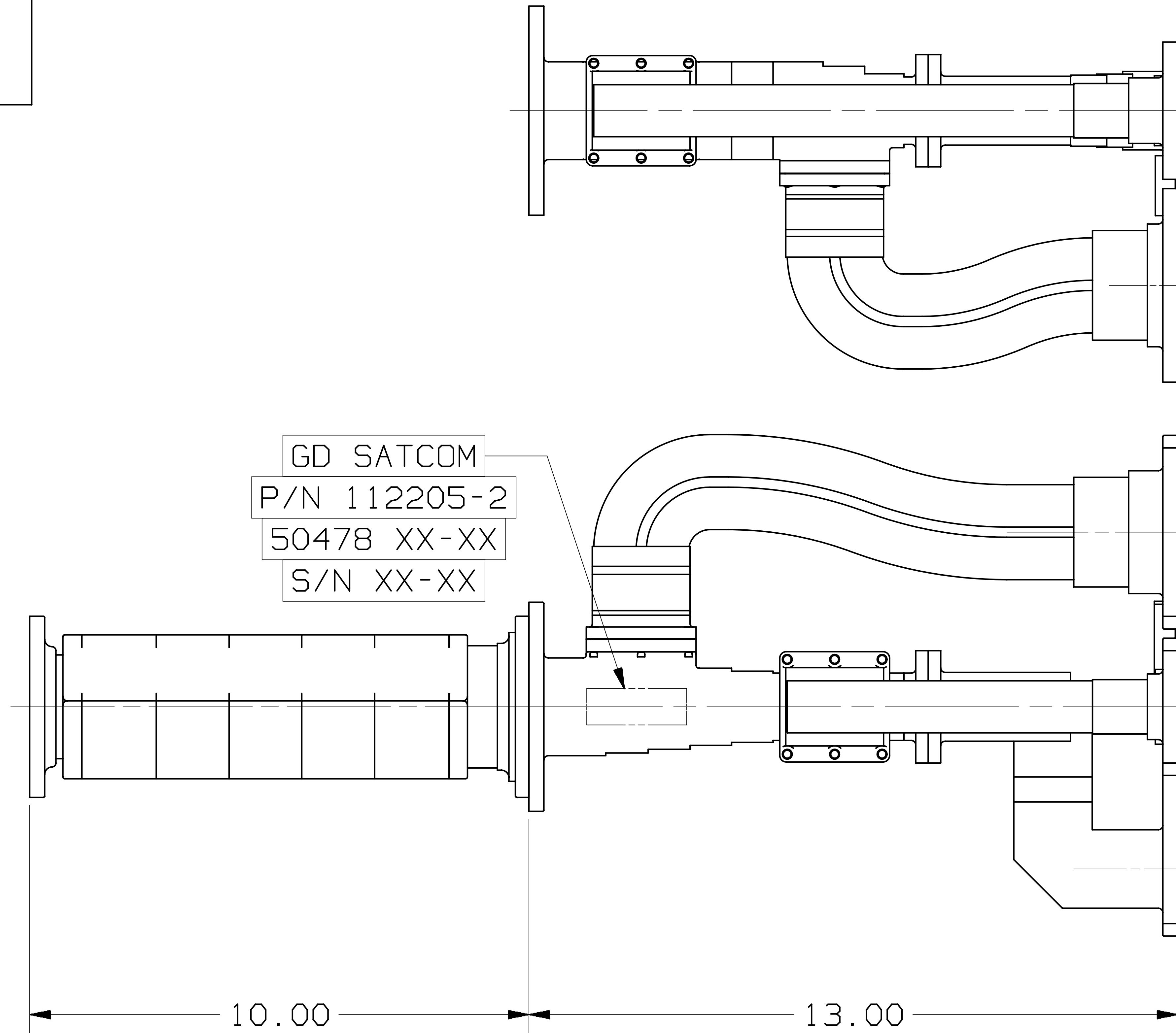
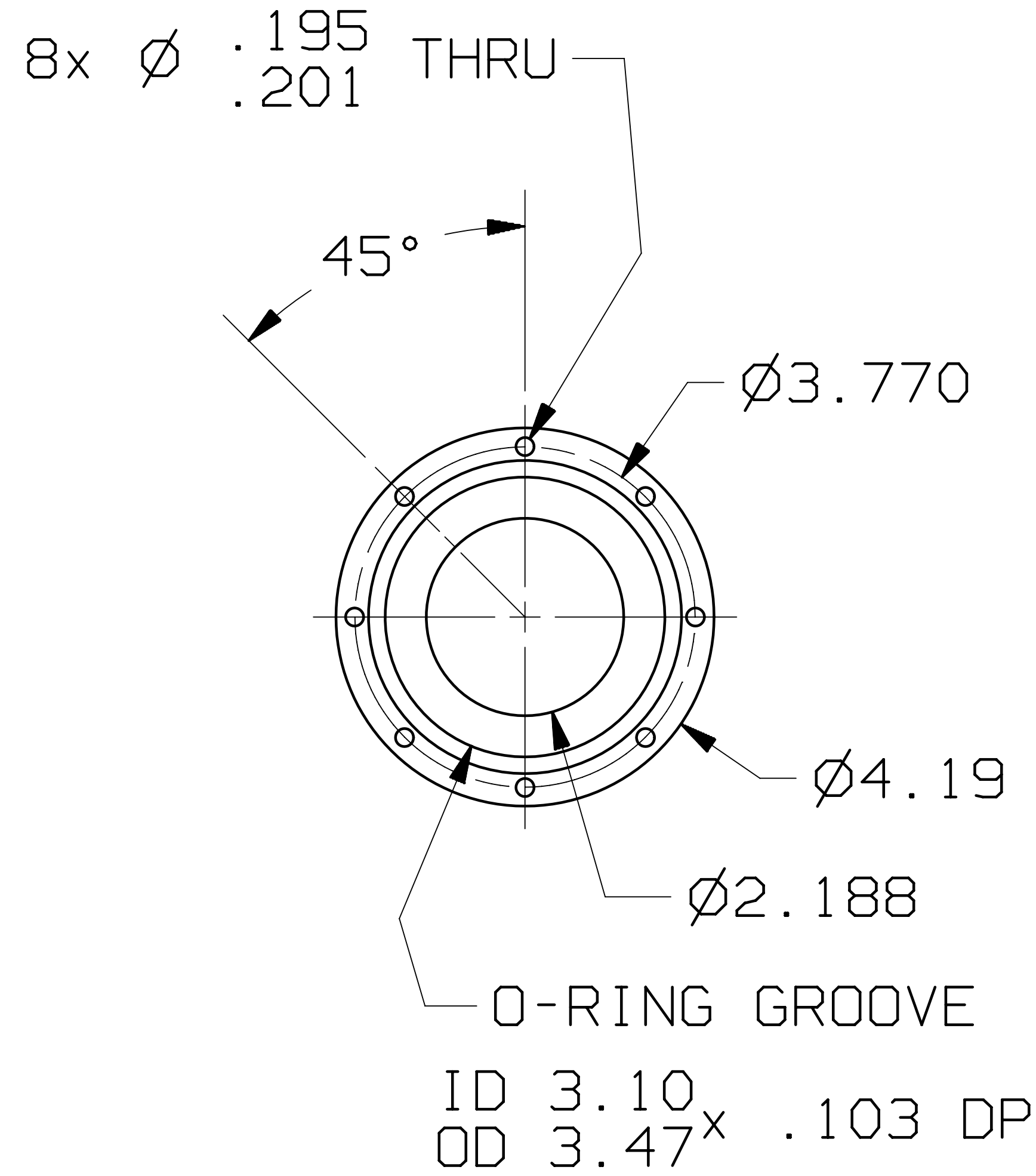
AXIAL RATIO : 1.3 dB (2.3 dB)

POWER HANDLING : 5.0 KWCW

PRESSURIZATION: SEALED TO 2 PSIG

FINISH
COMMON PORT: CHEM FILMED PER MIL-C-5541, CLASS 1A
Tx & Rx PORTS: CAD PLATED PER QQ-P-416, TYPE II, CLASS 2
EXTERIOR: WHITE PAINT, COLOR #17875 PER FED-STD-595

REVISIONS			
REV	DESCRIPTION	DATE	APPROVED
-	INITIAL RELEASE	04-17-07	



-2 CONFIGURATION

NOTES: UNLESS OTHERWISE SPECIFIED.

UNLESS OTHERWISE SPECIFIED DIMENSIONS & TOLERANCES ARE IN INCHES SURFACE- TOLERANCES- 32 ✓ .XX ±.01 .XXX ±.002 .XXXX ±.0010 ANGLES ±0°30'	APPROVALS	DATE	GENERAL DYNAMICS PROPRIETARY		
	DRAWN: H. Lim	04-17-07	GENERAL DYNAMICS		
	CHECKED:		SATCOM Technologies		
	ENGRG:		3111 Fujita St., Torrance, CA 90505, (310) 539-6704		
MFG:			C-BAND 4-PORT DIPLEXER CP		
EXPORT CONTROL WARNING: Do not disclose this document or its contents to non-U.S. Citizens or transmit this document or its contents outside the U.S.A. without the written permission of General Dynamics and required U.S. Government approvals		SIZE	FSCM No.	DWG No.	REV
MATERIAL:		C	50478	112205-2	-
NEXT ASSY:		SCALE: 3:8	SHEET 1		