



PRODELIN[™]

A TriPoint Global Company

4096-229

REVISION C

January 10, 2002

ASSEMBLY MANUAL

2.4M & 3.8M PEDESTAL MOUNT FOUNDATION REQUIREMENTS

PRODELIN CORPORATION
1500 Prodelin Drive
Newton NC 28658 USA
828-464-4141

2.4M & 3.8M PEDESTAL MOUNT FOUNDATION REQUIREMENTS

REV.	DESCRIPTION	DATE	APPROVED
C	Revised Address	1/10/02	<i>RAH</i>
B	Revised Cover Page	6/18/99	RAH
A	Added Text.	2/15/94	R.F.
-	ORIGINAL RELEASE	06/91	

SUGGESTED FOUNDATIONS

NOTE: Due to the wide variety of soil conditions, Prodelin Corporation does not warrant that any particular design or size of foundation is appropriate for any locality or earth station installation. It is the responsibility of the installer/user to determine if it meets the site/locality requirements. If there is any doubt, have it checked by an architect or structural engineer.

PEDESTAL FOUNDATION

Figure 1 shows a suggested Pad Foundation and figure 2 shows a suggested Pier Foundation. Both foundations utilize Prodelin's Pedestal Mount. To install the Pedestal Mount foundation, follow the steps below.

1. Install one [1] 1-8 hex nut and one [1] 1" flatwasher (items# 2,3) onto the anchor rod (item# 5), then insert the anchor rod into one of the holes in the plywood template (item# 6) and install another 1-8 hex nut and 1" flatwasher. Repeat this procedure for the remaining anchor rods. This will keep all the anchor rods in the straight and proper orientation when the concrete is poured. Next, install two [2] 1-8 hex nuts and one [1] flatwasher (items# 2,3) on the other end of each anchor rod. See figures 1 and 2.
2. Once the site location is determined, dig up the area where the foundation will be installed. Be careful not to dig too deep because the soil in the bottom and sides of the foundation should be undisturbed. Position the reinforcing bars as shown. Position the anchor rods so that the flatwashers are positioned under the reinforcing bars. Pour concrete and allow to dry for 24 hours.
3. Once the concrete is dry, remove the plywood template and screw the lower hex nuts as far down on the anchor rods as possible. Then install the mast pipe (item# 1) on to the anchor rods. Adjust the lower hex nuts until the mast pipe is level in the vertical position. Reinstall the flatwashers, lockwashers and hex nuts. With the mast pipe tightened down, fill the space between the concrete slab and the mast pipe base with grout.

FOUNDATION PARTS LIST

ITEM#	PART#	DESCRIPTION	QTY
1	0490-285 OR 0490-472	3.8M PEDESTAL MAST PIPE 2.4M EXTENDED PEDESTAL MAST PIPE	1 1
2	8107-007	1-8 HEX NUT	32
3	8201-049	1" FLATWASHER	24
4	8202-046	1" LOCKWASHER	8
5	0180-238	1 - 8 X 36" ANCHOR ROD	8
6	0274-013	TEMPLATE, PLYWOOD	1

PAD FOUNDATION

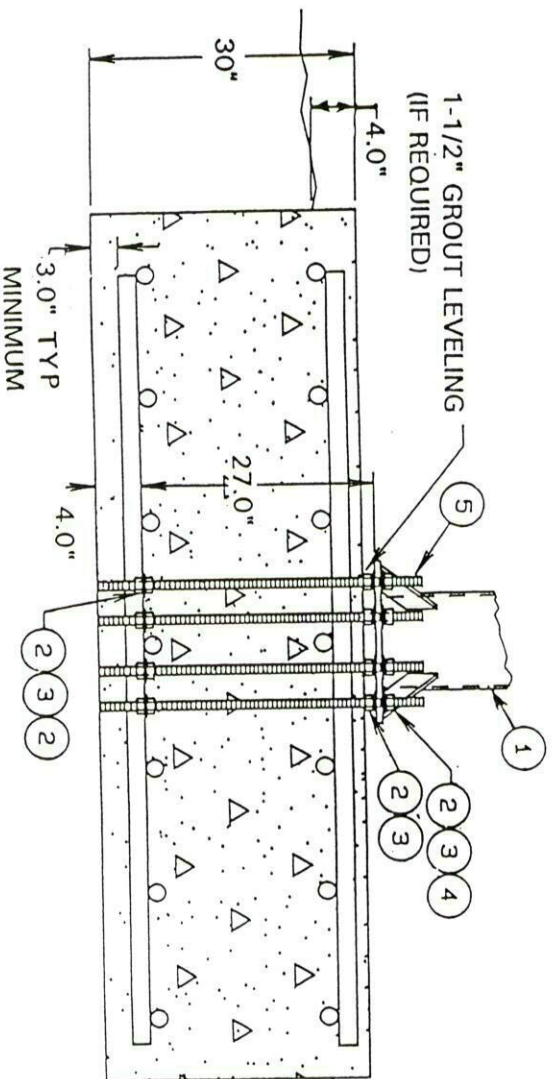
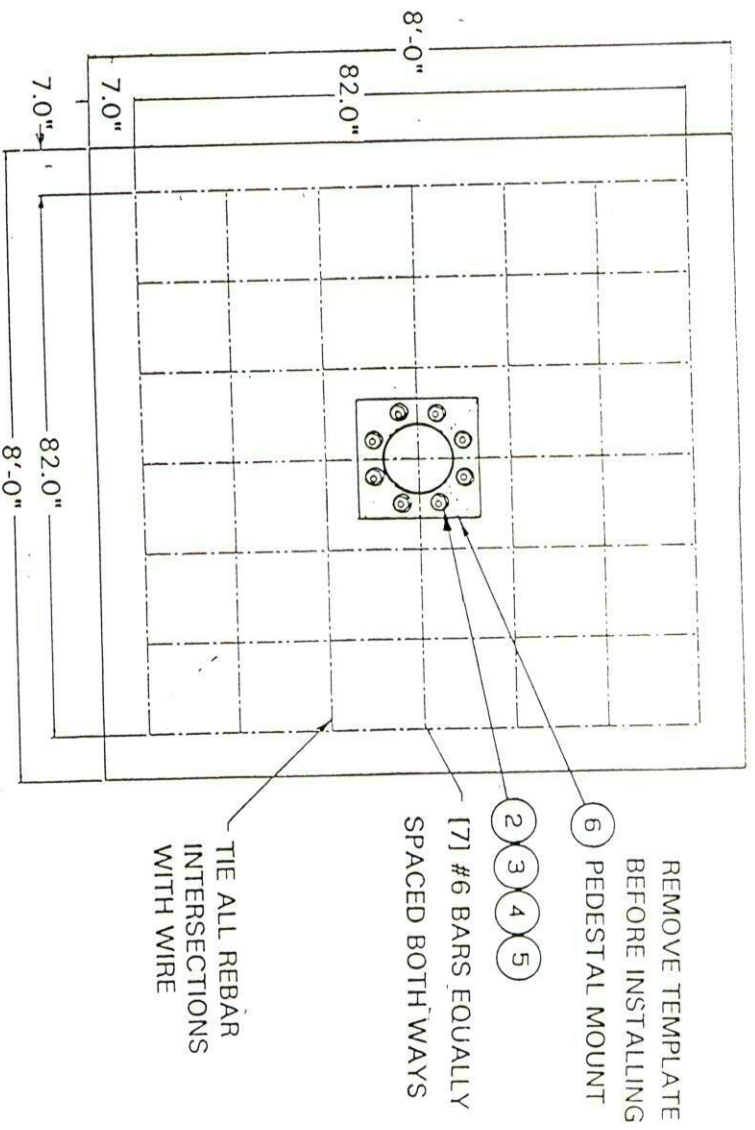


FIGURE 1

PIER FOUNDATION

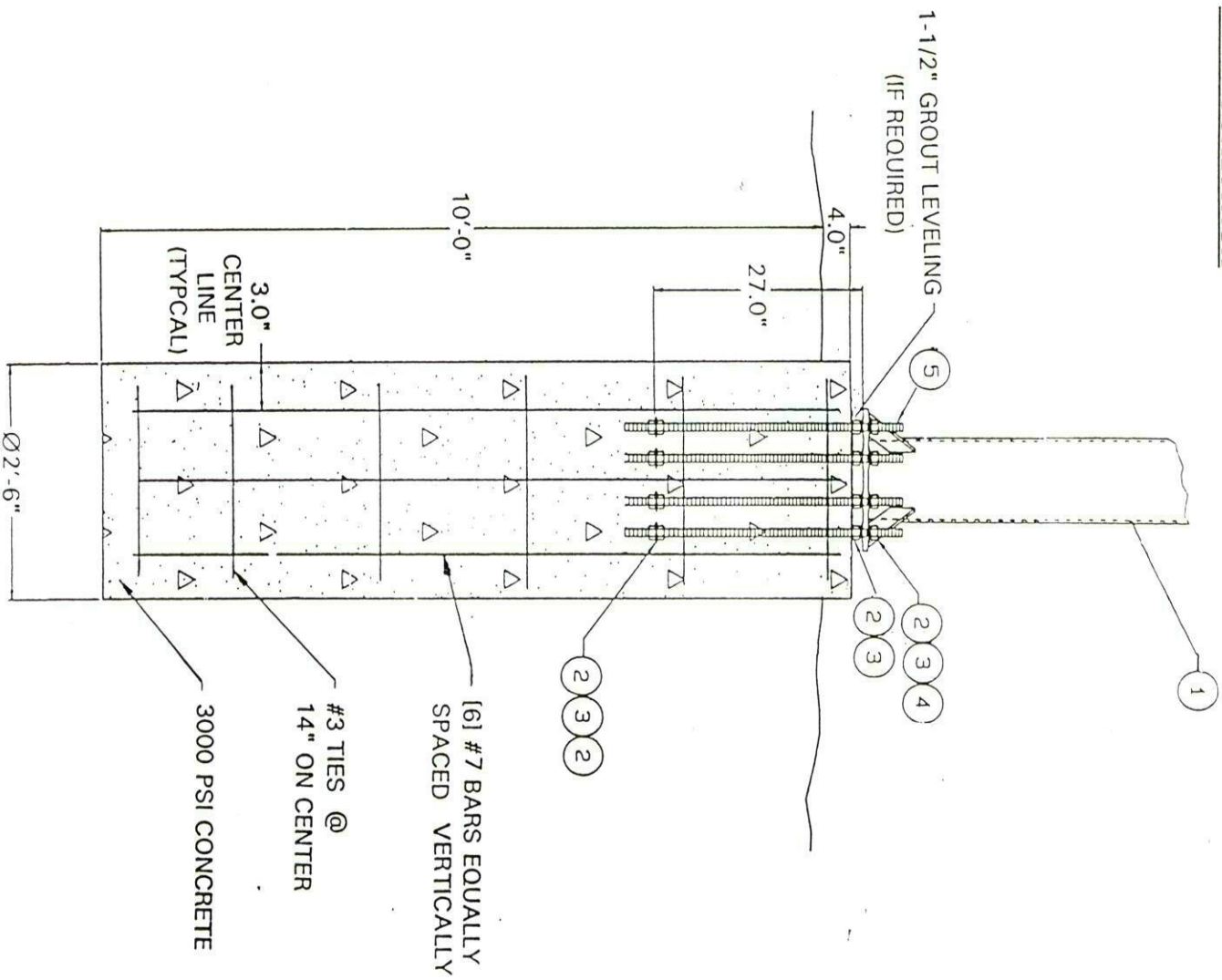


FIGURE 2

ITEM	DESCRIPTION	REQ.	PART NO.
1	PIPE, MAST	1	8184-133
2	PLATE, BASE SUPPORT	1	8156-898
3	PLATE, GUSSET	4	8156-898
4	PLATE, MAST	1	8156-899

PRODELIN CORPORATION
 TITLE: WELDMENT, MAST PIPE 3.8M
 MATERIAL: NOT D/P GALVANIZE
 FINISH: PER 50018
 DRAWN: 5/21/91 BY: MFT
 CHECKED: 9/4/91 BY: ST
 SCALE: 1/8" = 1'-0" SH: 1 OF 1
 0490-285

