

PRODELIN™

A TriPoint Global Company

**4096-228
REVISION A
July 22, 2002**

ASSEMBLY MANUAL

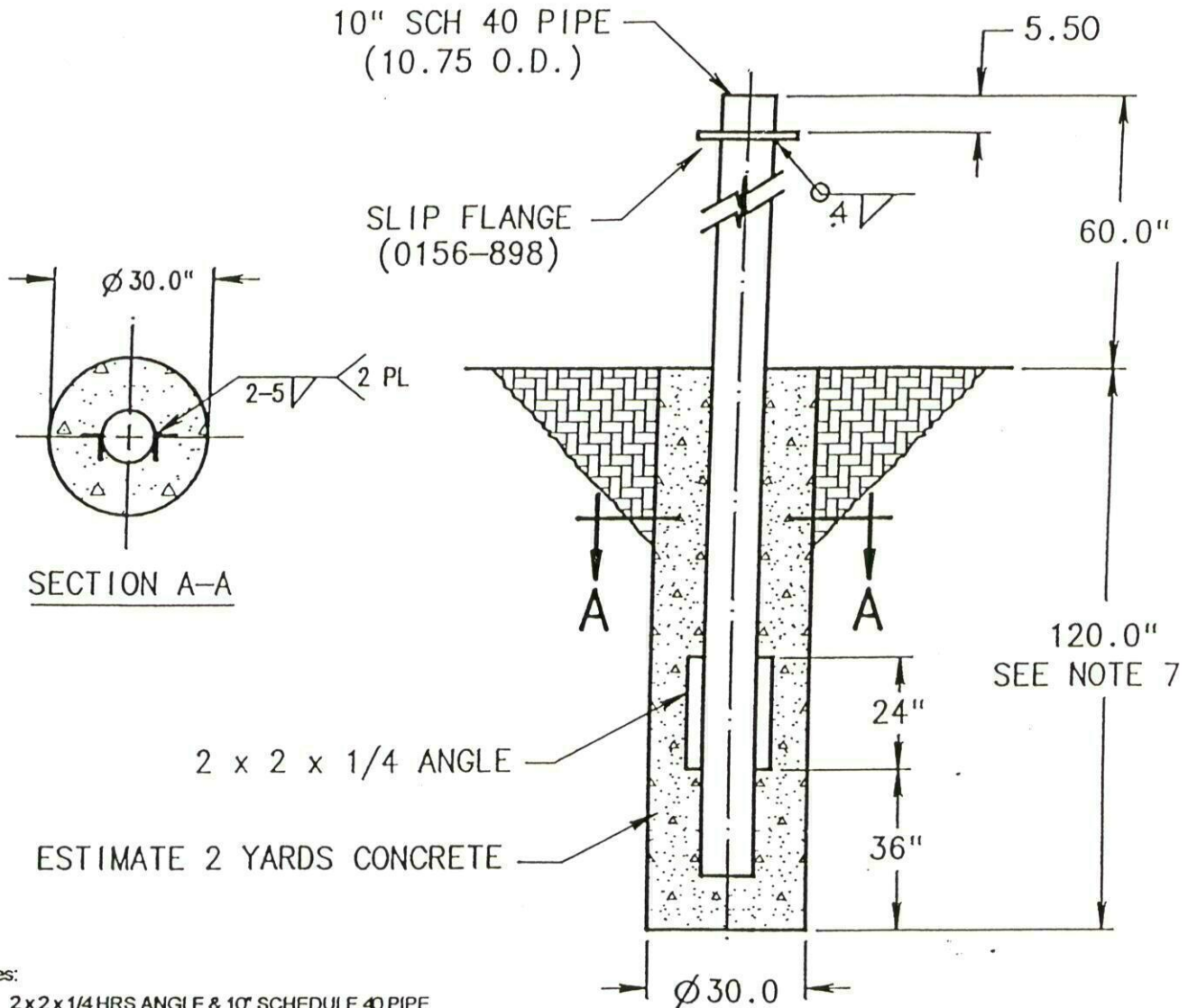
**3.8 Meter
In-Ground Mast Pipe**

**PRODELIN CORPORATION
1500 PRODELIN DRIVE
NEWTON, NC 28658**

3.8 METER IN-GROUND MAST PIPE

A	REVISED NEW ADDRESS	7/22/02	CLT
-	ORIGINAL RELEASE	1/19/93	-
REV.	DESCRIPTION	DATE	APPROVED

IN - GROUND MAST FOUNDATION, 3.8 METER ANTENNA SYSTEM



Notes:

1. 2x2x1/4 HRS ANGLE & 10" SCHEDULE 40 PIPE SHOULD CONFORM WITH ASTM A36 STRUCTURAL STEEL.
2. ALL CONCRETE SHOULD CONFORM TO BUILDING CODE STANDARDS AND HAVE A MINIMUM COMPRESSIVE STRENGTH OF 3000 PSI AT 28 DAYS. (PER ACI-318-77)
3. SOIL BEARING CAPACITY SHOULD BE NO LESS THAN 2000 PSF.
4. CONCRETE SHOULD BE POURED AGAINST UNDISTURBED SOIL.
5. ALL CONCRETE 24 HOUR SET TIME BEFORE INSTALLATION OF ANTENNA.
6. THE ANTENNA SHOULD BE PROPERLY GROUNDED TO MEET APPLICABLE LOCAL CODES
7. MINIMUM DEPTH AS SHOWN OR EXTENDED TO LOCAL FROST LINE.

(PRODELIN CORPORATION DOES NOT REPRESENT OR WARRANT THAT ANY PARTICULAR DESIGN OR SIZE OF FOUNDATION IS APPROPRIATE FOR ANY LOCALITY OR EARTH STATION INSTALLATION.)

Base Plate - 0156-898

