

SA-13T C/KU

13.0M MODIFIED CASSEGRAIN ANTENNA PERFORMANCE SPECIFICATIONS

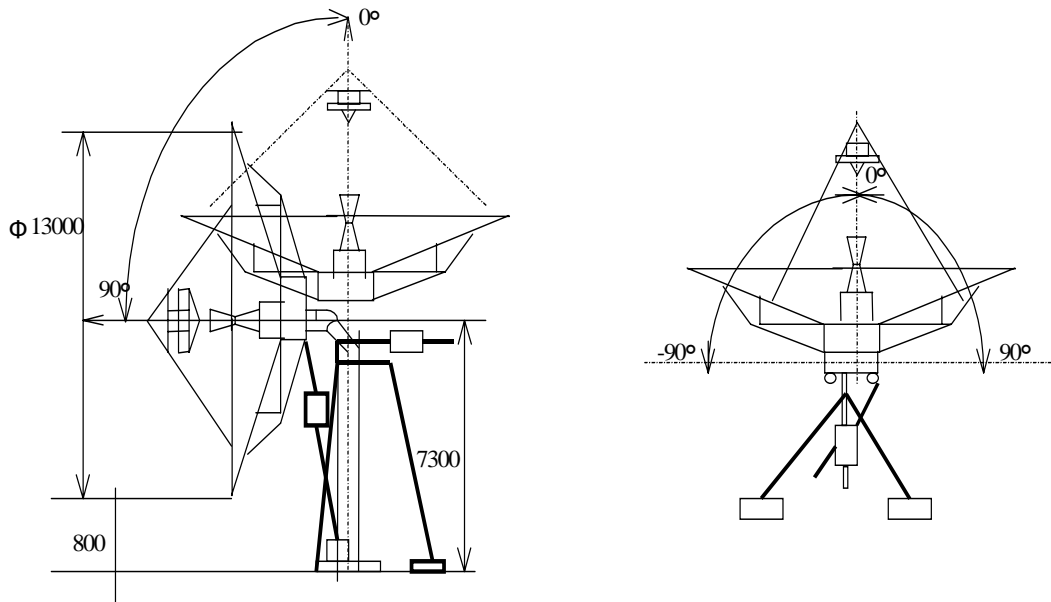
SPECIFICATIONS	C-RECEIVE	C-TRANSMIT	Ku -RECEIVE	Ku-TRANSMIT
Frequency(GHz)	3.625~4.200	5.850~6.425	10.95~12.75	14.00~14.50
Typical Gain (dBi)	53.1	56.7	62.5	63.8
VSWR	1.25 : 1	1.25 : 1	1.25 : 1	1.25 : 1
Beamwidth(-3dB)	0.38°	0.25°	0.13°	0.11°
Beamwidth(-15dB)	0.77°	0.51°	0.26°	0.22°
Antenna Noise Temperature	4 Port Feed		4 Port Feed	
10° Elevation	40K		66K	
20° Elevation	34K		56K	
30° Elevation	30K		50K	
Power Handing Capability		5000W / port		1000W / port
Feed interface	CPR-229G	CPR-159G/137G	WR-75	
Feed insertion loss	0.20dB	0.20dB	0.45dB	0.40dB
Port-port isolation				
Tx-Rx	85dB		85dB	
Tx- Tx, Rx -Rx Linear	30dB	30dB	30dB	30dB
Cross Polarization isolation	35dB(on axis)	35dB(on axis)	35dB(on axis)	35dB(on axis)
Sidelobes	29-25LOG(θ) dBi	1° $\leq\theta\leq$ 20°	29-25LOG(θ) dBi	1° $\leq\theta\leq$ 20°
	-3.5 dBi	20° $<\theta\leq$ 26.3°	-3.5 dBi	20° $<\theta\leq$ 26.3°
	32-25LOG(θ) dBi	26.3° $<\theta\leq$ 48°	32-25LOG(θ) dBi	26.3° $<\theta\leq$ 48°
	-10(Average) dBi	$\theta>$ 48°	-10(Average) dBi	$\theta>$ 48°

MECHANICAL SPECIFICATIONS

SPECIFICATIONS	Parameters
Azimuth Travel	\pm 90°
Elevation Travel	0°~90°
Azimuth/Elevation Axis Drive Rates	0.02°/s~0.04°/s
Polarization Travel Rate	1°/s
Accuracy Servo System	1/8~1/10 Beamwidth(-3dB)
Installation Hardware	
Shipping Weight	35 tn.
Surface Accuracy	C-0.5mm
Finish	White paint

ENVIRONMENTAL SPECIFICATIONS

SPECIFICATIONS	Parameters
Operational Winds	45mi/h gusts to 60mi/h
Survival Winds(Any Position)	125mi/h
Ambient Temperture	-30℃ ~ 60℃
Relative Humidity	0% ~ 100%
Aeismic (Survival)	0.3 G's horizontal
	0.15 G's veritcal
Solar Radiation	360 BTU/h/ft ²
Ice thick	3cm
Atmospheric Conditions	Salt、Pollutants



13M ANTENNA PACKING LIST

Name		Number	Box size L×W×H (M)	Packing box number	Weight/piece (Kg)
Reflector packing box	Inner fan-shape	14 block	2×1.6×1.3	1	600
	Middle fan-shape	28 block	2.2×1.6×1.2	2	800
	Outer fan-shape	28 block	2.2×1.6×1.7	2	900
Feed packing box			1.5×0.7×0.7	1	80
Network packing box			0.8×0.8×1.1	1	100
Feed sleeve packing box			1.8×1.2×1.2	1	250

Sub-reflector packing box		1.5×1.5×0.4	1	100
Polarization travel set		1.2×0.4×0.5	1	120
Spare parts packing box		0.6×0.4×0.4	2	50
Standard work-piece packing box		0.5×0.4×0.4	4	40
Pedestal(king post)		4.4×1.4×2.2	2	1500
Radiation bracing strut		6.0×1.4×1.1	4	1100
Subreflector pedestal		5.0×0.5×0.3	1	150
Subreflector pedestal body		1.2×1.2×0.5	1	100
Feed pedestal pipe		1.0×1.0×1.6	1	200
Ring beam		1.4×0.4×0.4	4	300
Cylinder pedestal assembly		6.6×3.4×1.8	1	5000
AZ maintenance platform		2.4×1.8×1.0	1	300
EL maintenance platform		2.5×2.4×0.9	1	500
Driving device		2.0×0.8×0.7	2	600
Column A		7.6×Φ0.33	2	2000
Column B		5.8×Φ0.33	1	800
Column C		6.9×Φ0.33	2	1900
Box beam assembly		2.7×1.4×0.8	1	1000
Worm gear case		0.7×0.7×0.6	2	700
Lead screw		4×Φ0.4	2	1000
Ladder A		4.2×0.6×0.4	1	300
Ladder B		3.1×0.5×0.4	1	200
Foundation bolt		1.6×1.0×1.0	5	500
Foundational template		6.3×0.07×0.07	3	200
Other parts and nut bolt		0.8×0.8×0.5	8	1000
Driving unit		0.94×0.94×0.53		103
Operating unit		0.91×0.71×0.51		62
Tracking receiver		0.76×0.66×0.51		42
Others (sensor、keyboard、cable、 manual .etc)		0.81×0.81×0.91		113

