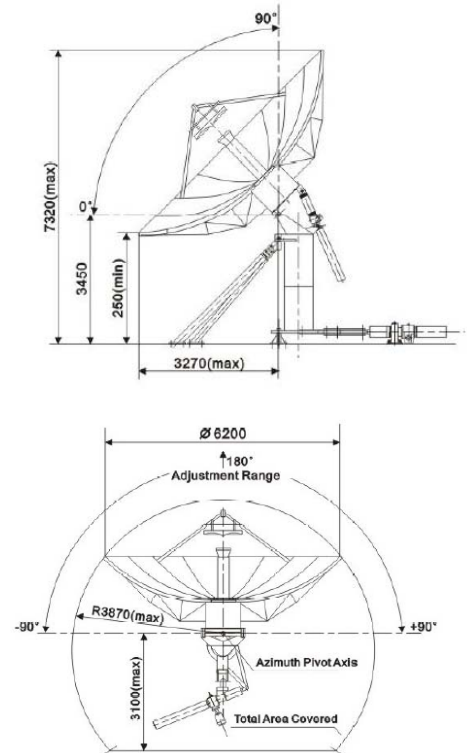


6.2M EARTH STATION ANTENNAS

ANTESKY has a selected range of VSAT antenna (Ku-Band, C-Band, Ka-Band), NWIEE antenna, Non-penetrating Roof Mounts, Earth Station Antenna Control System and Tracking Systems.



Antenna Accessory

- *Motorization Kits*
- *50 Satellite Positions Preset*
- *Limit Switches*
- *Steptrack*
- *ODU Support Kits*
- *Factory Feed System Testing and Documentation*
- *Ocean Transport Packing*
- *Foundation Kit*
- *Lightening Rod Kit*
- *Grounding Kit*
- *Cable-Mounting Kit*
- *Major Subsystem Spare Part Kits*
- *Anti-icing and Deicing*

Features

- *Meets or Exceeds CCIR 580 and INTELSAT Requirements*
- *High G/T, Excellent Pattern Characteristics*
- *Thermal Spaying Zinc Steel Ground Mount Assembly*
- *C-band Antenna Operating in 800MHz Bandwidth Option*
- *2-port, 3-port or 4-port Linear/Circular Feed*
- *Field Changeable Feed System, Switchable Circular to Linear C-band*
- *Antenna Az 0-360deg Continuous Pointing Range*

ELECTRICAL SPECIFICATION

Type	ATSK-620C		ATSK-620K	
	C-Band		Ku-Band	
Operating Frequency, GHz	Receive	Transmit	Receive	Transmit
		3.625~4.2	5.85~6.425	10.95~12.75
Gain, Mid-band, dBi	46.8	50.2	55.9	57.2
Polarization	Linear/ Circular		Linear	
XPD (on Axis), dB	35	35	35	35
XPD across 1dB Beam Width, dB	33	33	33	33
Axial Ratio (dB)	0.8/0.5	0.5		
VSWR	1.25	1.25	1.25	1.25
Antenna Noise Temperature, 2/4-port feed				
10° Elevation	35°K/42°K		63°K/67°K	
20° Elevation	26°K/36°K		51°K/58°K	
40° Elevation	24°K/33°K		49°K/52°K	
-3dB Beam Width	1.14°	0.72°	0.37°	0.31°
Typical G/T (E1>10°)	28.4dB/K (30° LNA)		35.2dB/K (70° LNA)	
Tx. Power Capability, KW		5		1
Feed Interface	CPR-229G	CPR-137G	WR-75	WR-75
Feed Insertion Loss, dB	0.25	0.2	0.25	0.25
Isolation, Tx to Rx, dB	85			
Radiation Pattern:First Sidelobe	≤-14, Meet ITU-RS.580-5 and other requirements			

MECHANICAL SPECIFICATION

Azimuth	±90° (Continuous)
Elevation	0°~90°(Continuous)
Polarization	180°(Continuous)
Finishes	
Reflector Surface	Aluminum panels with high-diffusing white paint
Pedestal & Back Structure	Thermal Spraying Zinc
Surface Accuracy (RMS)	≤ 0.5mm

ENVIRONMENTAL SPECIFICATION

Operational Wind	72km/h Gusting to 97km/h
Survival Wind	216km/h
Temperature	- 40°C ~ + 60°C
Relative Humidity	100%
Solar Radiation	1135Kcal/ h/ m ²
Seismic (Survival)	0.3g (H), 0.15g (V)