



10W Full C-Band Block Up Converter

KEY FEATURES

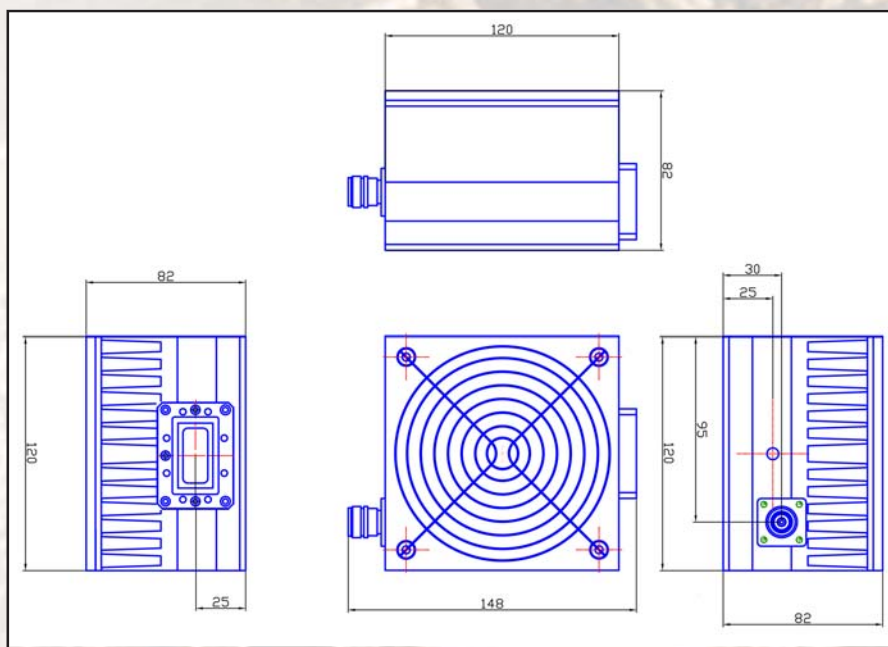
- ◆ Smallest package size and weight
- ◆ 5.850 - 7.200 GHz output
- ◆ Digital temperature compensation
- ◆ High power efficiency (10W min @P1dB over temperature)
- ◆ 18-72 VDC autoranging via IF connector Input
- ◆ Power and lock status LED
- ◆ Field exchangeable IF connector (N/F)
- ◆ RoHS compliant
- ◆ M & C interface (Optional)
- ◆ Three year warranty

ABE10FC / ABE10FCF ABE10FXC / ABE10FXCF



This smallest and the lightest 10W L-To Full C-Band Block Up Converter is designed to be mounted on the feed horn. The unit is ideal for portable and mobile applications. Unit can be powered either with 24 or 48 VDC and consumes less than 75W.

Mechanical Drawing





10W Full C-Band Block Up Converter

TECHNICAL SPECIFICATIONS

RF Frequency	ABE10FC ABE10FXC	5.850 to 6.425 GHz 5.850 to 7.200 GHz
Local Oscillator	ABE10FC ABE10FXC	4.90 GHz 4.90, 5.45 GHz - Electronically Switchable
IF Frequency	ABE10FC ABE10FXC	950 to 1.525 MHz 950 to 1.750 MHz
Output Power @ P1dB G.C.P.		10W (+40 dBm min.)
IF Connector		N-Type or F-Type
Power Supply Auto Ranging		18 - 72 VDC, 75 W Max
Output Interface		CPR 137
Linear Gain		68 dB nominal
Requirement for External Reference:		via IF cable Frequency 10 MHz (sine-wave) Input Power -5 to +5 dBm @ Input port
Gain Variation	Over 40 MHz Over 500 MHz	1.0 dB p_p 1.8 dB p_p
Over Operating Temperature		0.6 dB p_p @ Fixed Frequency
Phase Noise		-120 dBc/Hz max. @ 100 KHz -95 dBc/Hz max. @ 10 KHz -85 dBc/Hz max @ 1 KHz -75 dBc/Hz max @ 100 Hz
Noise Figure		15 dB max
Input V.S.W.R.		2 : 1 max
Output V.S.W.R.		2 : 1 max.
Mute		Shut off the HPA if L.O. unlocked
Status LED	GREEN RED	LO is Locked and Power is Normal Power is Normal, LO is Unlocked
Input Interface	ABE10FC ABE10FCF	50 Ohm (N-type IF In) 75 Ohm (F-type IF In)
Temperature Range (ambient)		
Operating		-40 deg C to +55 deg C
Storage		-55 deg C to +85 deg C
Dimensions & Housing		120 (L) x 120 (W) x 78 (H) mm 4.8" (L) x 4.8" (W) x 3.1" (H)
Weight		2.2 kg (4.8 lbs) max