



**C-BAND HUBMOUNT SSPA
with full microprocessor based
Monitor & Control**

**High Power
(200 W to 500 W)**

AWMA-C200; AWMA-C250;
AWMA-C300, AWMA-C350
AWMA-C400; AWMA-C500

INTRODUCTION

The AWMA-C series described in this section are Advantech's line of high power solid state power amplifiers (SSPAs) with full microprocessor based Monitor & Control and output power ranging from 200 watts to 500 watts. Other C-Band hubmount SSPAs are available for output power from 5 watts up to 1000 watts.

Advantech's hubmount SSPAs are designed for outdoor operation in hard environmental conditions and are particularly suited to flyaway or mobile applications as SNG, where efficiency and size considerations are critical. Advantech's hubmount SSPAs set the industry standard for operating efficiency and feature compact and lightweight construction.

STANDARD FEATURES

- Microprocessor based Monitor & Control
- High gain, linearity and efficiency
- Gain control (local)
- Remote gain control adjustment
- Remote RF mute capability
- Temperature gain compensation
- Automatic over-temperature shutdown
- Automatic high reflected power shutdown
- Output sample monitor port
- Form-C contacts for fault/alarm conditions
- Infinite VSWR protection
- Serial port interface (RS232 or RS422/485)
- Redundancy operation without external controllers
- CE Marking



OPTIONS

- Extreme temperature operation

ADVANTECH Advanced Microwave Technologies Inc., 657 Orly Avenue, Dorval, QC, H9P 1G1 Canada
Tel.: (1 514) 420-0045 • Fax: (1 514) 420-0073 • E-mail: info@advantechamt.com •
www.advantechamt.com

APPLICATION

The AWMA-C series high power amplifiers are designed for satellite up-link applications in ground station terminals. With the addition of the appropriate waveguide and switch kit, these amplifiers can be easily converted for the operation in a redundant configuration with full remote monitor and control capability of the redundant system via serial interface.

DESCRIPTION

Advantech's hubmount SSPAs are constructed in a compact, air-cooled housing for outdoor operation. The amplifiers are weatherproof, thus a special equipment shelter is not required. They are the smallest fully integrated units on the market today.

The design of these amplifiers is based on Advantech's industry proven reliable solid state high power amplifiers. Built-in design features and assembly methods incorporated with effective combining techniques result in an amplifier with exceptional linearity and operating efficiency. The use of high efficiency power supply and conservative thermal designs contribute to the trouble-free operation of the amplifier. The AWMA-C series amplifiers offer full monitor and control functions, including gain adjustment, which are accessible via the RS232 or RS422/485 serial interface.

Additional standard features comprise the automatic over-temperature shutdown and the soft failure features that contribute to the smooth operation and greatly improve the life of the product. The AWMA-C series amplifiers also incorporate a microprocessor-controlled system that allows remote monitoring and control of the power amplifier.

The AWMA-C series amplifiers contain the following subsystems:

- RF amplifier module
- RF output arm
- Power supply system
- Monitor and control system

RF AMPLIFIER MODULE

The RF amplifier module includes circuitry for amplification, temperature compensation and gain adjustment. A conservative design approach combined with proprietary techniques for the design and assembly, result in a product of exceptional stability, linearity, performance and the highest reliability.

The gain adjustment has a typical range of 20 dB. The amplifier module provides its status and accepts commands via the Monitor and Control system. The current drawn by each transistor in the amplifier is continuously monitored and an alarm is activated when the current in any of the transistors falls outside of a pre-set window. The activation of the alarm does not depend on the presence or absence of an RF signal.

RF OUTPUT ARM

The RF output arm connects the output of the amplifier module to the output waveguide flange of the amplifier hubmount assembly. The RF output arm contains the output isolator and all the couplers for the RF output sample port, the RF incident power detector and the RF reflected power detector.

*ADVANTECH Advanced Microwave Technologies Inc., 657 Orly Avenue, Dorval, QC, H9P 1G1 Canada
Tel.: (1 514) 420-0045 • Fax: (1 514) 420-0073 • E-mail: info@advantechamt.com •
www.advantechamt.com*

POWER SUPPLY

The power supply system consists of three high efficiency modules. The main power supply provides a single output DC high current necessary to the drains of the GaAs FETs and a low current DC to the second and the third power supplies. The secondary power supply has multiple outputs for operation of the Monitor and Control System. The third power supply delivers a variable DC voltage to allow for a temperature dependent variable rotation speed of the cooling fans.

MONITOR & CONTROL SYSTEM

The Monitor and Control system is driven by the Monitor and Control (MAC) module. The MAC module contains a microprocessor that monitors all key operating parameters and status of the amplifier (i.e. output power, baseplate temperature, power consumption and switch position). For gain adjustment, the 12 bit DAC provides a 0.1 dB step increment across the full 20 dB range of the attenuator. Through a menu driven interface, all key operating parameters and status can be verified remotely via the RS232, or RS422/485 serial interface. The built-in test facilities (i.e. output RF detector, reflected power detector) when combined with other monitored parameters provide an effective means for troubleshooting. The calibrated output sample port provides a convenient means to locally verify the operation during service.

Parameters Measured	Parameters Controlled	Status Monitored
Output Power Baseplate Temperature Enclosure Temperature Drain Voltage Power Supply Voltage (V) Power Supply Current (A) Gain (attenuator setting) Reflected power	RF ON/OFF (mute) Gain adjustment (attenuator setting) Switch position for redundant operation (optional)	Power ON RF ON/OFF Summary alarm Thermal Alarm

SAFETY FEATURES

Thermal Alarms and Faults

A thermal shutdown feature is incorporated into the system in order to protect the amplifier from permanent damage. The thermal shutdown feature operates at a baseplate temperature of 85° C and is self-healing. When the baseplate temperature drops to below 65° C, the amplifier re-starts automatically. A thermal shutdown is always preceded by a thermal alarm, which is activated at a baseplate temperature of approximately 75° C.

High Reflected Power

The output isolator in the output arm of the AWMA-C amplifiers is designed to withstand high reflected RF power. The amplifier will shut down when the reflected power is more than 25% of the rated output power. An amplifier that has been shut down due to high load VSWR must be restarted manually.

Redundant Operation

The AWMA-C high power SSPAs may be configured to operate in 1:1 or 1:2 redundancy mode. No extra controller is required for redundancy operation, as the built-in controller in each amplifier provides this function. For 1:1 redundancy operation, in addition to the two amplifiers (operating and standby) a special redundancy kit (P/N WMR-C300A for AWMA-C200 and AWMA-C250; and P/N: WMR-C400A for AWMA-C300, AWMA-C350, AWMA-C400 and AWMA-C500) is required. For 1:2 operation, another redundancy kit (WMT-C300A or WMT-C400A) is required in addition to the three amplifiers (two operating and one standby). The kits include waveguide switches, terminations, RF splitter and interconnecting cable assemblies. Access for full remote monitoring and control of the system is provided via serial port of the system.

ORDERING INFORMATION

A complete model number for ordering consists of a basic number followed by a three-field option code, as follows:

Basic number [1st field] [2nd field] [3rd field]

Basic numbers

AWMA-C200	200 W (saturated power) SSPA	AWMA-C250	250 W (saturated power) SSPA
AWMA-C300	300 W (saturated power) SSPA	AWMA-C350	350 W (saturated power) SSPA
AWMA-C400	400 W (saturated power) SSPA	AWMA-C500	500 W (saturated power) SSPA

[1st field]

B - operating voltage 220 VAC (47- 63 Hz)

[2nd field]

S - standalone

R - redundant ready 1:1

T - redundant ready 1:2

[3rd field]

E - -30°C...+55°C

F - -40°C...+55°C

G - -50°C...+50°C

Example

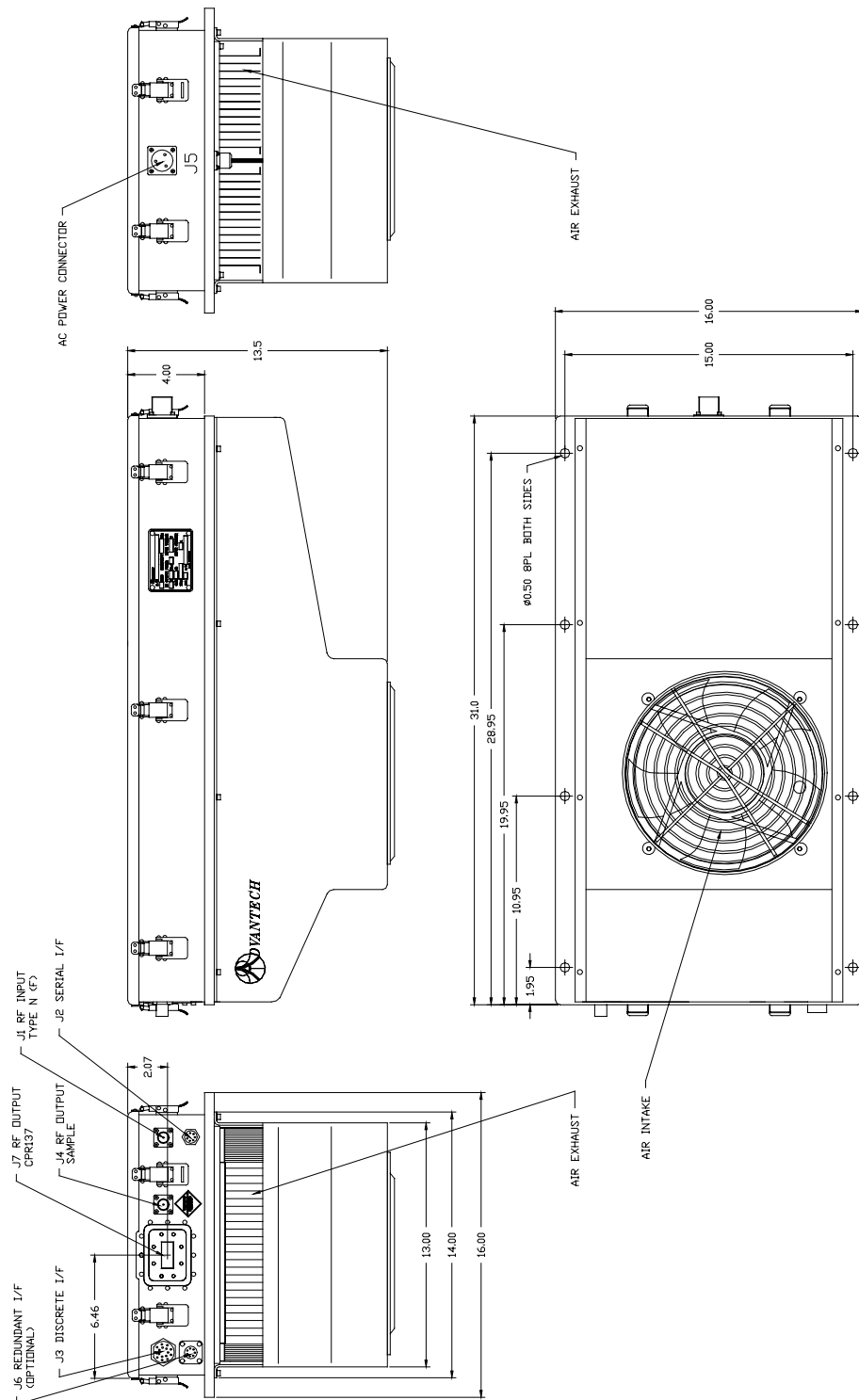
To order a 200 W C-Band hubmount SSPA ready for 1:1 redundancy, operating from 220 VAC, and operating temperature of -30°C...+55°C, specify: AWMA-C200-BRE.

Notes

The packaging shown in this Product Bulletin applies to CS series AWMA amplifiers. Packaging of amplifiers for some of the other frequency band options noted in the Technical Specifications on Page 5 may differ.

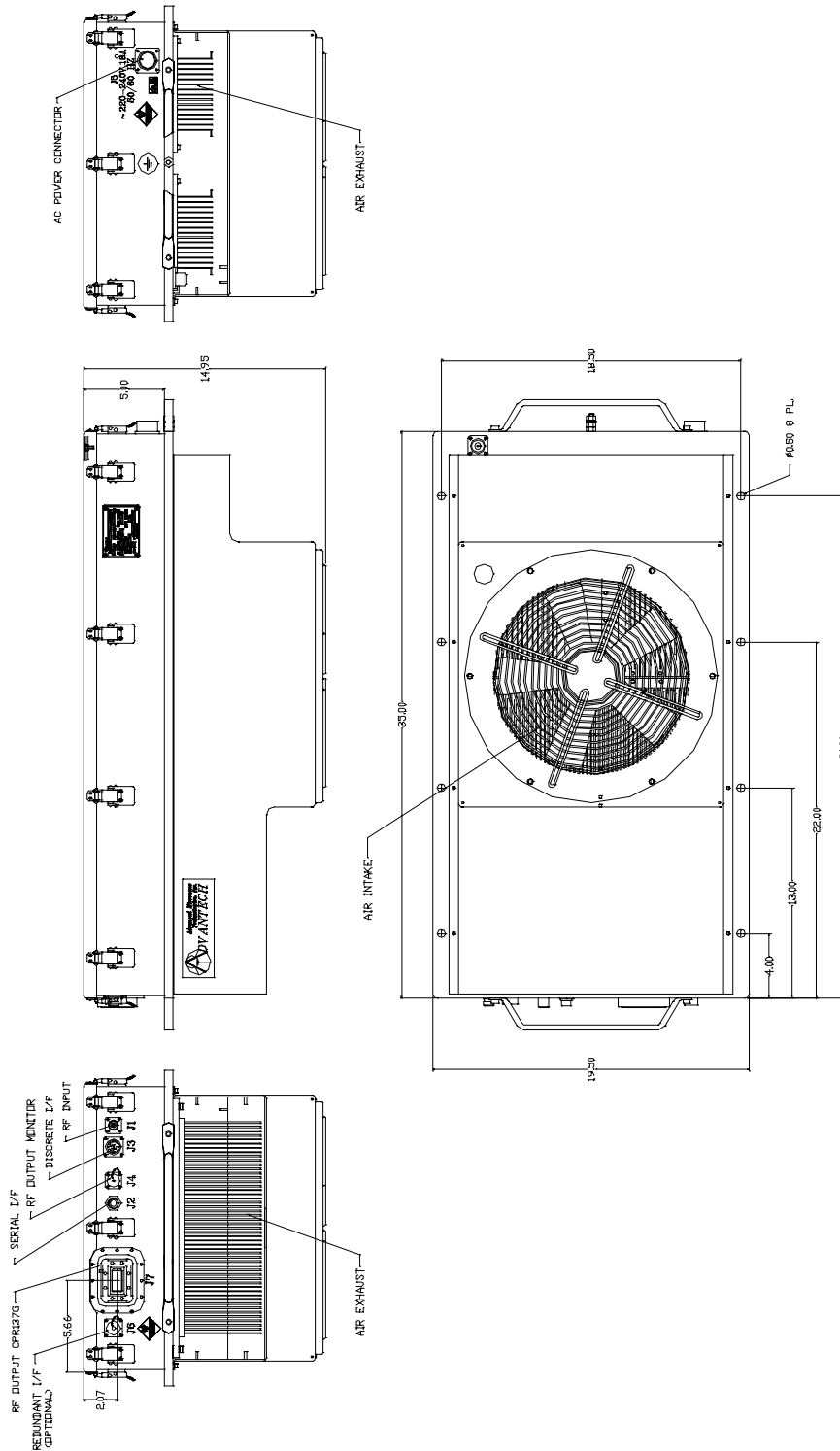
TECHNICAL SPECIFICATIONS		200 W	250 W	300 W	350 W	400 W	500 W
Electrical Characteristics							
Frequency ranges	4.400 - 5.000 GHz (CL series); 5.025 - 5.250 GHz (CG series); 5.725 - 6.025 GHz (CR series); 5.700 - 6.725 GHz (CC series) 5.850 - 6.425 GHz (CS series); 5.850 - 6.725 GHz (CX series); 6.425 - 6.725 GHz (CP series); 6.725 - 7.025 GHz (CI series)						
Saturated output power nominal	+53 dBm	+54 dBm	+55 dBm	+55.5 dBm	+56 dBm	+57 dBm	
Output power (P1dB)	+52 dBm	+53 dBm	+54 dBm	+54.5 dBm	+55 dBm	+56 dBm	
Gain minimum ($G_{max} = G_{min} + 5$ dB)	64 dB	64dB	64 dB	64 dB	64 dB	64 dB	
Gain flatness over 600 MHz	±1 dB max.						
Gain slope	0.6 dB/40 MHz max.						
Gain variation	±1.5 dB over operating temperature range						
Gain adjustment range	20 dB min.						
Input VSWR	1.3:1 max.						
Output VSWR	1.25:1 max.						
Noise Figure	8 dB at max. gain						
Spurious at rated power	-65 dBc, max.						
Harmonics at rated power	-60 dBc, max						
AM/PM conversion at rated power	2.5 ^o /dB max. at P1dB, 1 ^o /dB max. at 3 dB back-off						
Two tone intermodulation (5 MHz apart)	-26 dBc max. at 3 dB total back-off from rated P1dB						
Group Delay	Linear: 0.02 nsec /MHz max. Parabolic: 0.003 nsec /MHz ² max. Ripple 1 nsec p-p max.						
Phase Noise	Exceeds IESS-308/309 by - 6 dB						
Residual AM (F* - frequency in kHz)	0-10 kHz						-45 dBc
	10 kHz - 400 kHz						-20 (1.25+log F*) dBc
	400 kHz - 1 MHz						-80 dBc
Power Requirements							
Operating voltage	220 VAC (47 - 63 Hz)						
Power consumption, nominal	1500 W	2000 W	2400 W	2600 W	2800 W	3000 W	
Mechanical Characteristics							
Dimensions (W x H x L) [see note page 5]	16" x 13.5" x 31" (200 W - 250 W)			15" x 20" x 35" (300 W - 500 W)			
Weight	50 kg (110 lbs) for 200W/250W			60 kg (132 lbs) for 300W/350W/400W/500W			
Interfaces	RF input	Type-N female					
	Output sample port	Type-N female					
	RF output	CPR 137 contact (grooved)					
	Serial port	MS3112E10-6P					
	Discrete port	MS3112E16-26P					
	Redundancy	MS3112E14-12P					
	Power	MS3102E20-19P					
Environmental Conditions							
Temperature Operating	-30°C to +55°C option 2: -40°C to +55°C; option 3: -50°C to +50°C						
Storage	-55°C to +85°C						
Humidity	100% condensing, up to 2"/hour rain						
Altitude	10,000' AMSL, derated by 2°C/1000' from AMSL						

ADVANTECH reserves the right to change the above specifications without prior notice



AWMA 200/250 Watt System Outline

ADVANTECH Advanced Microwave Technologies Inc., 657 Orly Avenue, Dorval, QC, H9P 1G1 Canada
Tel.: (1 514) 420-0045 • Fax: (1 514) 420-0073 • E-mail: info@advantechamt.com •
www.advantechamt.com



AWMA 300 - 500 Watt System Outline

ADVANTECH Advanced Microwave Technologies Inc., 657 Orly Avenue, Dorval, QC, H9P 1G1 Canada
 Tel.: (1 514) 420-0045 • Fax: (1 514) 420-0073 • E-mail: info@advantechamt.com •
 www.advantechamt.com