



Blackmagic Studio Camera HD

Technical Specifications

Description

The Blackmagic Studio Camera HD is the world's most advanced broadcast camera for live production! You get a massive 10" viewfinder, MFT lens mount, 4 hour battery, talkback, tally indicators, phantom powered microphone connections and built in optical fiber and SDI connections that let you connect to your switcher with a single cable! Its incredibly tough, lightweight magnesium alloy body is packed with all the built in features you need for multi camera production and broadcast.

Camera Features

Effective Sensor Size

12.48mm x 7.02mm

Resolution and Frame Rates

1920 x 1080p23.98, 1920 x 1080p24, 1920 x 1080p25, 1920 x 1080p29.97, 1920 x 1080p30, 1920 x 1080p50, 1920 x 1080p59.94, 1920 x 1080p60, 1920 x 1080i50, 1920 x 1080i59.9 and 1920 x 1080i60

Focus

Auto focus. Peaking mode.

Iris Control

Iris button automatically adjusts the lens iris settings so no pixel is clipped in film mode. Scene average auto exposure in video mode.

Lens Mount

Active MFT Mount

Screen Dimensions

1 x 10.1" - 1920 x 1200

Screen Type

10.1" - TFT-LCD

Controls

Push button controls for navigating menus.

Microphone

Integrated stereo microphone

Mounting Options

2 x 3/8" tripod mount. 4 x 1/4"-20 UNC thread mounting points on top of camera, 3 x 1/4" 20 UNC thread mounting points left on right of camera.

Connections

SDI Video Output

1 x 3G-SDI 10-bit 4:2:2

SDI Video Input

1 x 3G-SDI

Ref Input

1 x Reference Input

Optical Fiber Input/Output

3G Optical Fiber Input and Output

Analog Audio Input

2 x XLR analog switchable between mic and line levels. Phantom power support.

Analog Audio Output

Aviation headphone (Fixed Wing Plugs) output for talkback and audio monitoring

SDI Audio Output

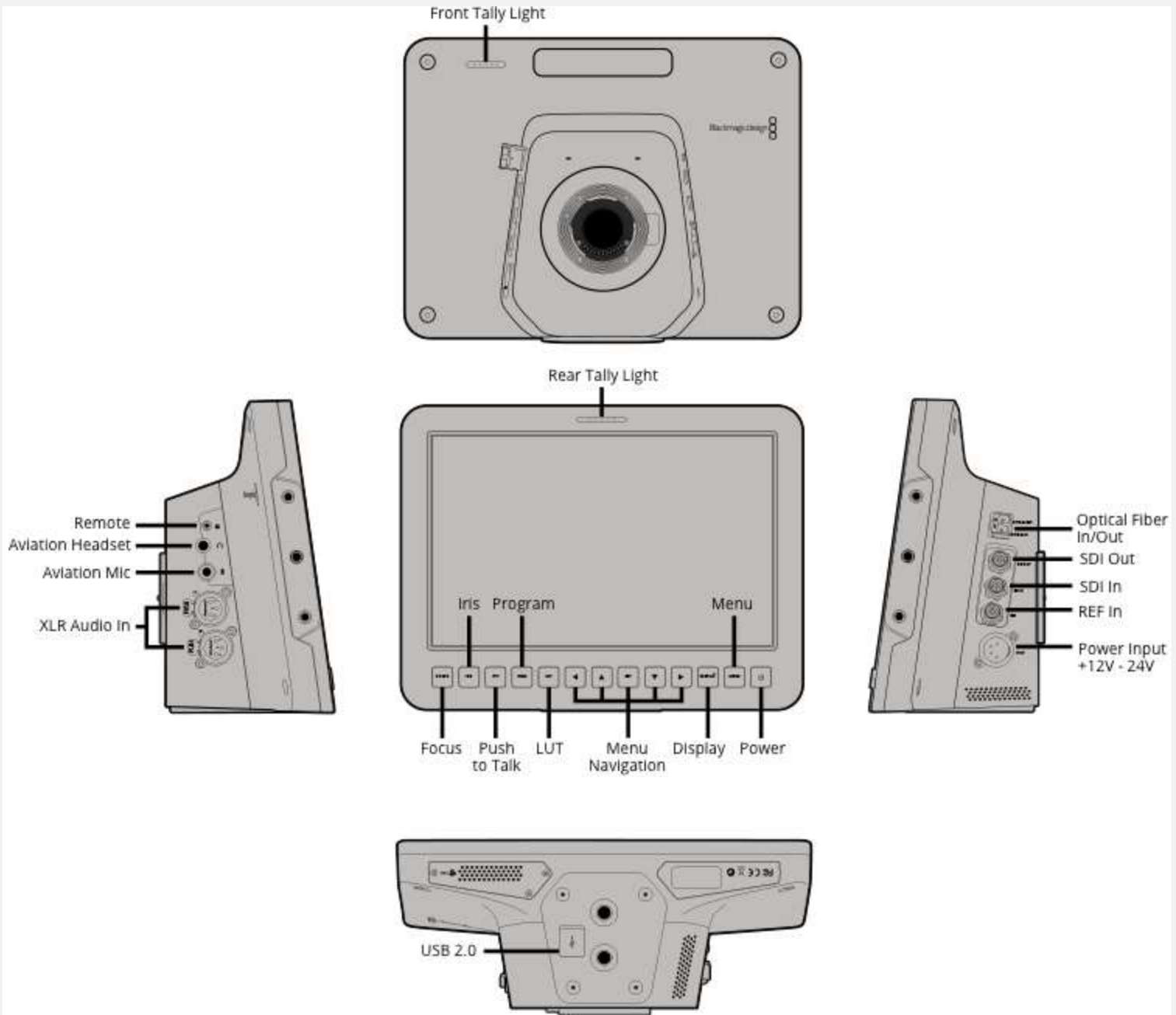
2 channels in 3G-SDI 48Khz and 24 bit. 2 channels for talkback on channel 15-16.

Remote Control

1 x 2.5mm LANC for Iris Control and Focus. SDI CCU control from ATEM.

Computer Interface

USB 2.0 Mini-B port for software updates.



Standards

SDI Compliance

SMPTE 292M

SDI Audio Sampling

48 kHz and 24-bit

Software

Software Included

Blackmagic Camera Utility

Operating Systems

Mac OS X 10.9 Mavericks,
Mac OS X 10.10 Yosemite or later.
Windows 7 or Windows 8.

Power Requirements

External Power Input

1 x 4-pin XLR port for external power or battery use.

Power

Integrated Lithium Ion Polymer rechargeable battery. 11V-24V DC port for external battery power or use included 12V AC adapter.

Built-in Battery Life

Approximately 4 hours

Battery Charge Time

Approximately 4 hours

Physical Specifications



Environmental Specifications

Operating Temperature

0° to 40° C (32° to 104° F)

Storage Temperature

-20° to 45° C (-4° to 113° F)

Relative Humidity

0% to 90% non-condensing

What's Included

Blackmagic Studio Camera HD

Sun Shield and attaching screws

Turret Dust Cap

12V AC Adapter

3G-SDI Optical Fiber

Warranty

Product Warranty

12 Month Limited Manufacturer's Warranty.